



GENERAL SPECIFICATIONS

Features:

- Tub Mount, Floor, or Wall Mount Faucet options
- 59.1" (1500mm) x 29.1"(740mm) x 22.8"(580mm)

Material:

- High grade acrylic with fiberglass re-inforcement.

Code Standards:

- CSA B45.5-11/IAPMO Z124

TECHNICAL INFORMATION

- INSTALLED SIZE:	59.1 x 29.1 x 22.8 in. (1500 x 740 x 580mm)
- FLOOR FOOT PRINT	41 x 19 in. (1040 x 830mm)
- DRAIN LOCATION	Centered
- WEIGHT:	86 lbs (39 KGS)
- WEIGHT W/WATER	540 lbs (245 KGS)
- GALLONS TO OVERFLOW:	52 Gallons (195L)
- BATHING WELL AT SUMP:	38 x 15 in. (980 x 390mm)
- BATHING WELL AT RIM:	57 x 27 in. (1450 x 686mm)
- WATER DEPTH TO OVERFLOW:	15 in. (390mm)
- FLOOR LOADING (Project Area)	102.3 lbs per sq/ft (283.8 kg per sq/m)

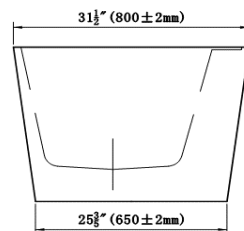
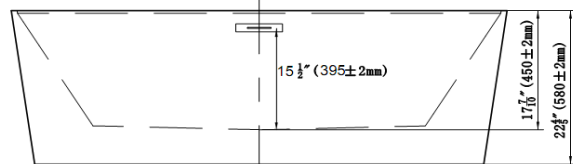
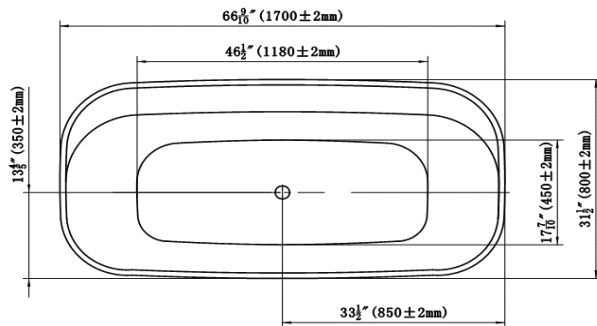
DIMENSIONS OF FIXTURES ARE NOMINAL AND MAY VARY WITHIN THE RANGE OF TOLERANCES ESTABLISHED BY ANSI STANDARDS Z124.1.2-2005

NOTES:

- Refer to the installation instructions supplied with this product for additional information.
- Provide suitable reinforcement for all supports.

IMPORTANT:

- These measurements are subject to change. No responsibility is assumed for use of superseded or voided leaflet.



ELEVATION SOURCING, LLC
15565 Wright Brothers Drive
Addison, Texas 75001
OFF: 214/572-2000